

**Standard-Aggregat-Ausführung (Classic / Select) in mm**  
Standard unit (Classic / Select) in mm / inches

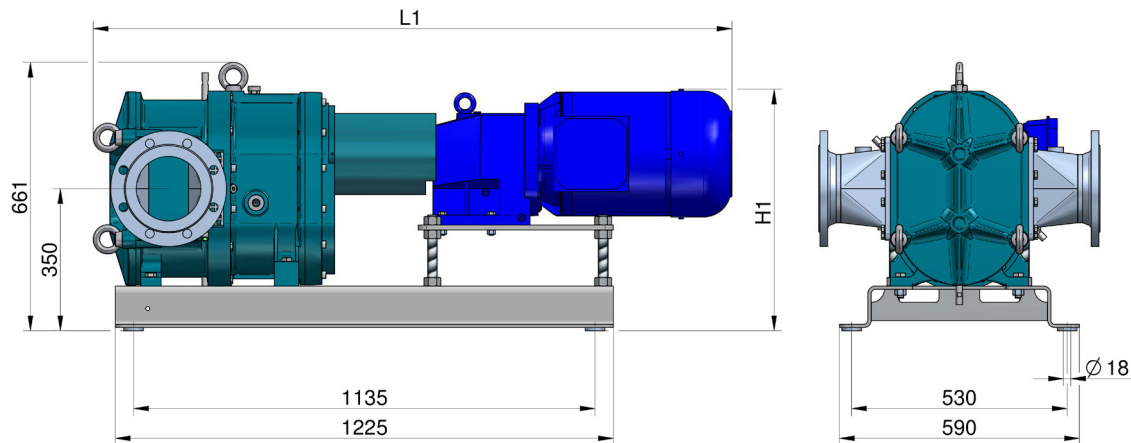
Antrieb Drive		FL 518 (Classic / Select)					
		Gewicht Weight		Abmessungen Dimensions			
		[kg]	[lbs]	L1		H1	
[kw]	[hp]			[mm]	[inches]	[mm]	[inches]
4,0	5,36	433	954,60	1.463	57,60	547	21,54
5,5	7,38	453	998,69	1.520	59,84	547	21,54
7,5	10,06	465	1.025,15	1.530	60,24	574	22,60
9,2	12,34	479	1.056,01	1.530	60,24	574	22,60
11,0	14,75	506	1.115,54	1.655	65,16	574	22,60
15,0	20,12	570	1.256,63	1.702	67,01	602	23,70
18,5	24,81	584	1.287,50	1.839	72,40	602	23,70
22,0	29,50	672	1.481,50	1.839	72,40	602	23,70
30,0	40,23	705	1.554,26	1.839	72,40	602	23,70
37,0	49,62	836	1.843,06	1.880	74,02	665	26,18

Antrieb Drive		FL 776 (Classic / Select)					
		Gewicht Weight		Abmessungen Dimensions			
		[kg]	[lbs]	L1		H1	
[kw]	[hp]			[mm]	[inches]	[mm]	[inches]
4,0	5,36	468	1.031,76	1.526	60,08	547	21,54
5,5	7,38	487	1.073,65	1.583	62,32	547	21,54
7,5	10,06	498	1.097,90	1.593	62,72	574	22,60
9,2	12,34	513	1.130,97	1.593	62,72	574	22,60
11,0	14,75	541	1.192,70	1.718	67,64	574	22,60
15,0	20,12	595	1.311,75	1.765	69,49	602	23,70
18,5	24,81	618	1.362,46	1.902	74,88	602	23,70
22,0	29,50	706	1.556,46	1.902	74,88	602	23,70
30,0	40,23	739	1.629,21	1.902	74,88	602	23,70
37,0	49,62	792	1.746,06	2.009	79,09	634	24,96
45,0	60,35	894	1.970,93	2.009	79,09	634	24,96

Antrieb Drive		FL 1036 (Classic / Select)					
		Gewicht Weight		Abmessungen Dimensions			
		[kg]	[lbs]	L1		H1	
[kw]	[hp]			[mm]	[inches]	[mm]	[inches]
7,5	10,06	519	1.144,20	1.635	64,37	574	22,60
9,2	12,34	534	1.177,27	1.635	64,37	574	22,60
11,0	14,75	560	1.234,59	1.760	69,29	574	22,60
15,0	20,12	624	1.375,68	1.807	71,14	602	23,70
18,5	24,81	638	1.406,55	1.944	76,54	602	23,70
22,0	29,50	726	1.600,55	1.944	76,54	602	23,70
30,0	40,23	759	1.673,31	1.944	76,54	602	23,70
37,0	49,62	812	1.790,15	2.051	80,75	634	24,96
45,0	60,35	914	2.015,02	2.051	80,75	634	24,96

Herstellungsbedingte Abweichungen einzelner Maße innerhalb einer zumutbaren Toleranz sind nicht auszuschließen.  
Auftragsbezogene Maße können gerne angefragt werden.

*Production-related deviations in individual dimensions within an acceptable tolerance cannot be ruled out.  
Requests for dimensions regarding a specific order are welcome.*



**Standard-Aggregat-Ausführung (Protect) in mm**  
Standard unit (Protect) in mm / inches

Antrieb Drive		FL 518 (Protect)						
		Gewicht Weight		Abmessungen Dimensions				
		[kg]	[lbs]	L1		H1		
[kw]	[hp]			[mm]	[inches]	[mm]	[inches]	
4,0	5,36	438	965,62	1.490	58,66	547	21,54	
5,5	7,38	458	1.009,72	1.550	61,02	547	21,54	
7,5	10,06	468	1.031,76	1.560	61,42	574	22,60	
9,2	12,34	484	1.067,04	1.560	61,42	574	22,60	
11,0	14,75	511	1.126,56	1.685	66,34	574	22,60	
15,0	20,12	575	1.267,66	1.730	68,11	602	23,70	
18,5	24,81	589	1.298,52	1.865	73,43	602	23,70	
22,0	29,50	677	1.492,53	1.865	73,43	602	23,70	
30,0	40,23	710	1.565,28	1.865	73,43	602	23,70	
37,0	49,62	841	1.854,09	1.910	75,20	665	26,18	

Antrieb Drive		FL 776 (Protect)						
		Gewicht Weight		Abmessungen Dimensions				
		[kg]	[lbs]	L1		H1		
[kw]	[hp]			[mm]	[inches]	[mm]	[inches]	
4,0	5,36	473	1.042,79	1.555	61,22	547	21,54	
5,5	7,38	492	1.084,67	1.610	63,39	547	21,54	
7,5	10,06	503	1.108,92	1.620	63,78	574	22,60	
9,2	12,34	518	1.141,99	1.620	63,78	574	22,60	
11,0	14,75	546	1.203,72	1.745	68,70	574	22,60	
15,0	20,12	600	1.322,77	1.795	70,67	602	23,70	
18,5	24,81	623	1.373,48	1.930	75,98	602	23,70	
22,0	29,50	711	1.567,48	1.930	75,98	602	23,70	
30,0	40,23	744	1.640,24	1.930	75,98	602	23,70	
37,0	49,62	797	1.757,08	2.035	80,12	634	24,96	
45,0	60,35	894	1.970,93	2.035	80,12	634	24,96	

Herstellungsbedingte Abweichungen einzelner Maße innerhalb einer zumutbaren Toleranz sind nicht auszuschließen.  
Auftragsbezogene Maße können gerne angefragt werden.

*Production-related deviations in individual dimensions within an acceptable tolerance cannot be ruled out.  
Requests for dimensions regarding a specific order are welcome.*